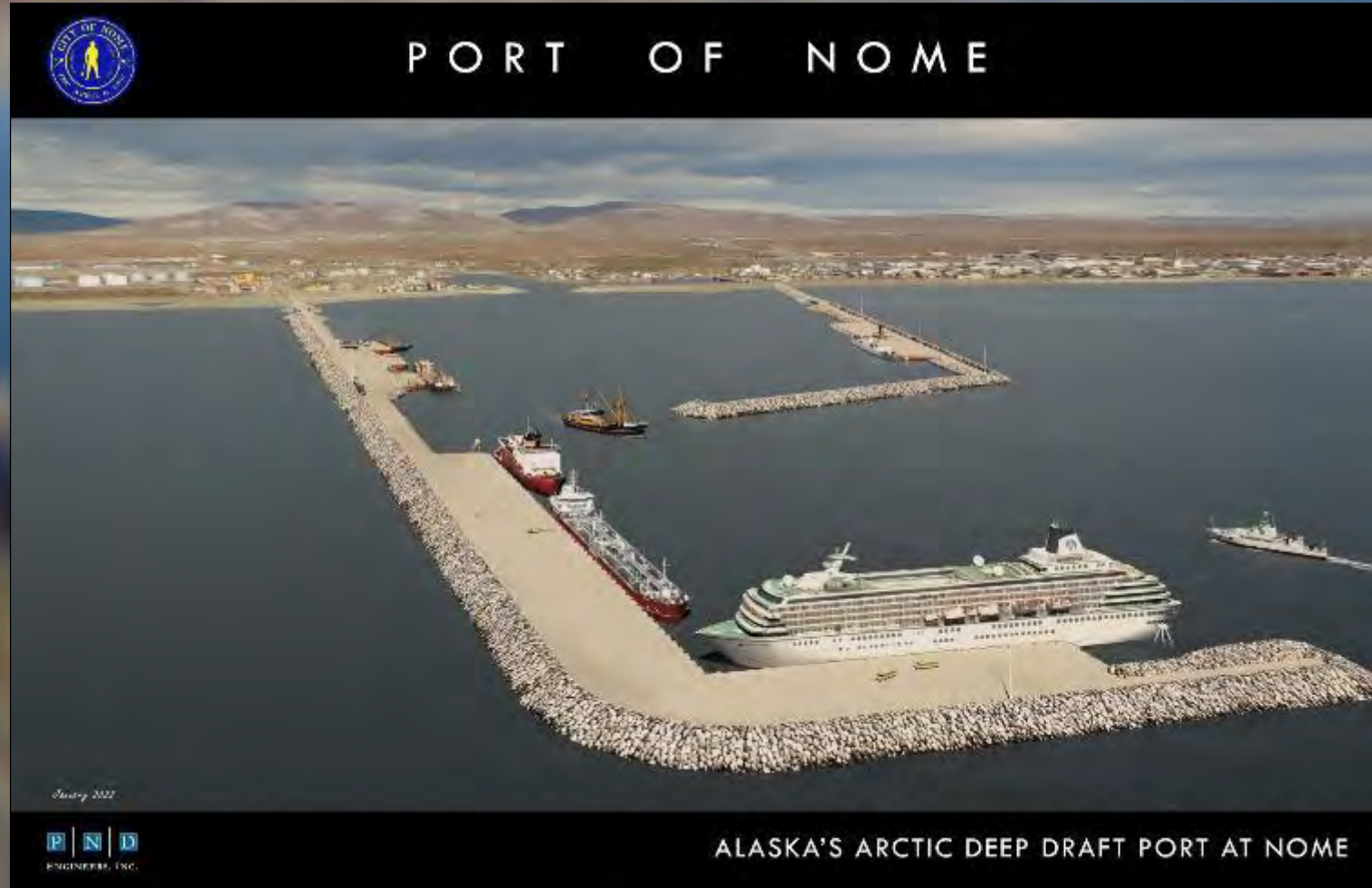


# PORT OF NOME STRATEGIC DEVELOPMENT PLAN

Nome, Alaska

January 23, 2024

Bryan Hudson, P.E., S.E.  
Principal Engineer  
PND Engineers, Inc.







Floats and Gangways

High Ramp

Barge Ramp

Low Dock

Fish Dock

Causeway Bridge

Causeway Revetment

West Gold Dock

Middle Dock

City Dock

East Breakwater

Seawall Revetment



# Phase I Bids February 2024



Existing East Breakwater  
to Remain  
(Phase I)

New ~2,000' OCSP  
Dock Structure  
(Phase I)

Extend Causeway and  
Roadway ~3,500'  
(Phase I)





# Phase II Future Dredge Basin Deepening



Dredge to -28 MLLW  
(Phase II)

Existing East Breakwater  
to Remain  
(Phase II)

Dredge to -40 MLLW  
(Phase II)

New ~2,000' OCSP  
Dock Structure

Extend Causeway and  
Roadway ~3,500'





# Phase III East Causeway



Breach Bridge  
(Phase III)

Dredge to -28 MLLW  
(Phase II)

New East Causeway Road  
(Phase III)

Two New OCSP Docks  
(Phase III)

Mooring Dolphins  
(Phase III)

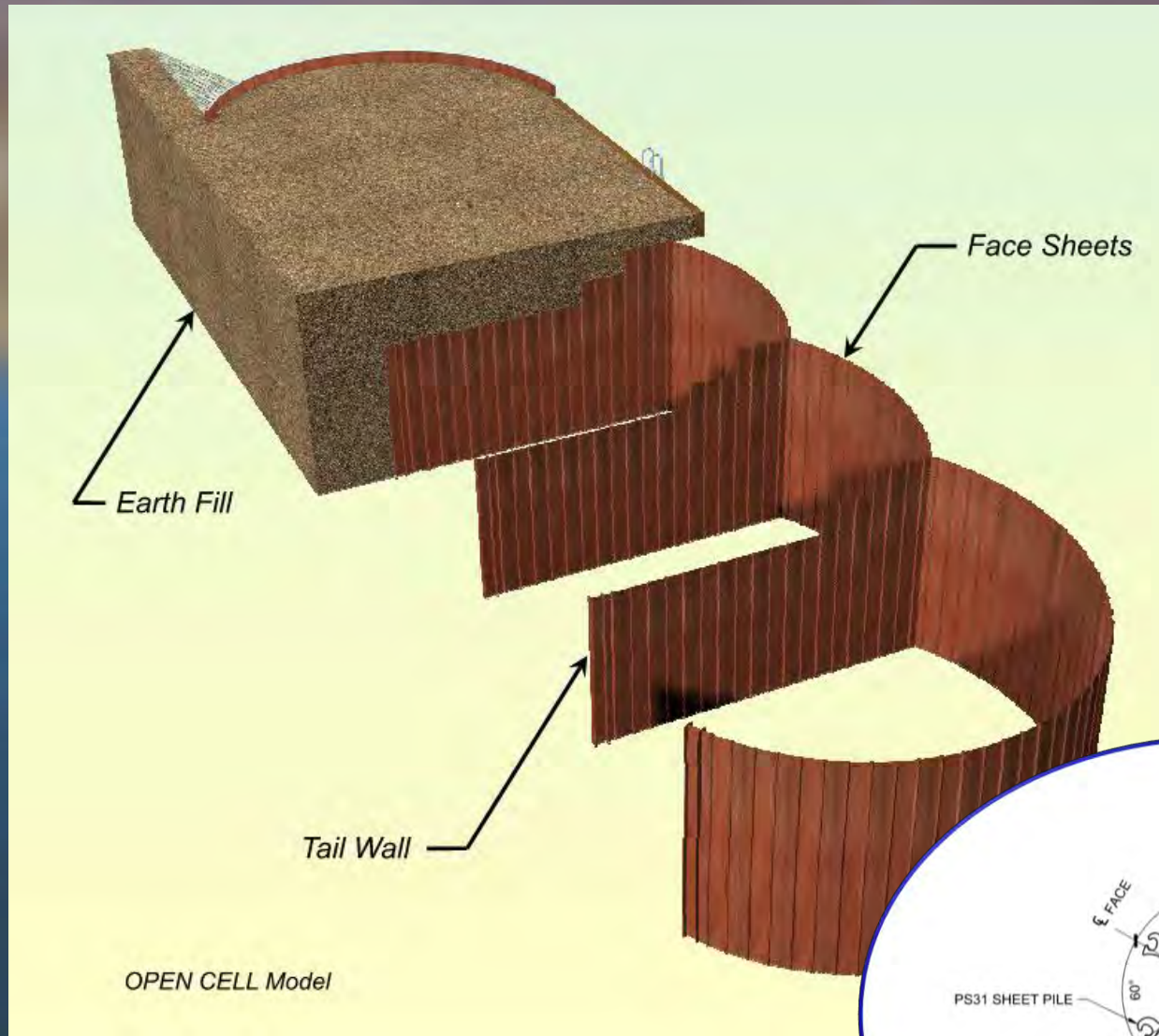
Dredge to -40 MLLW  
(Phase II)

New ~2,000' OCSP  
Dock Structure

Extend Causeway and  
Roadway ~3,500'

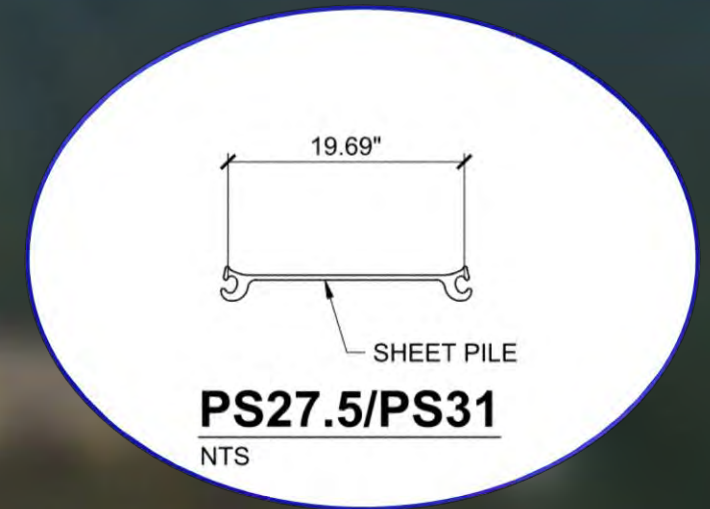
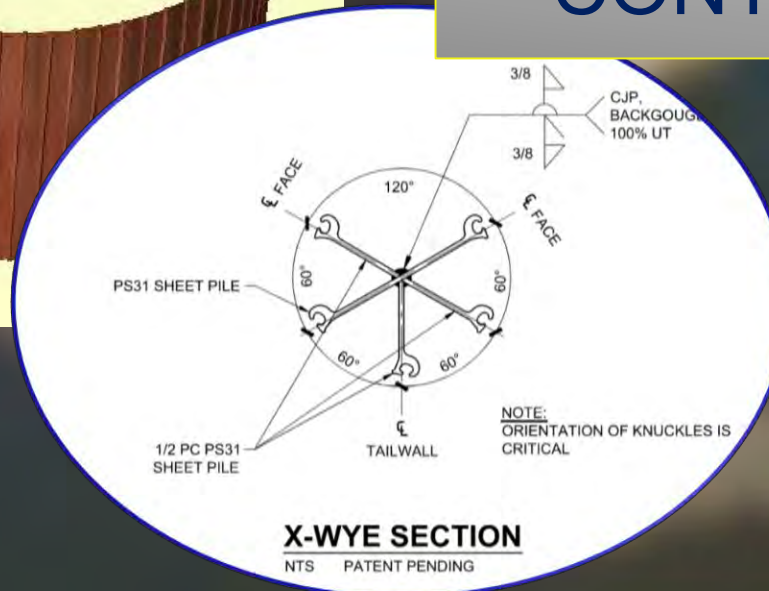


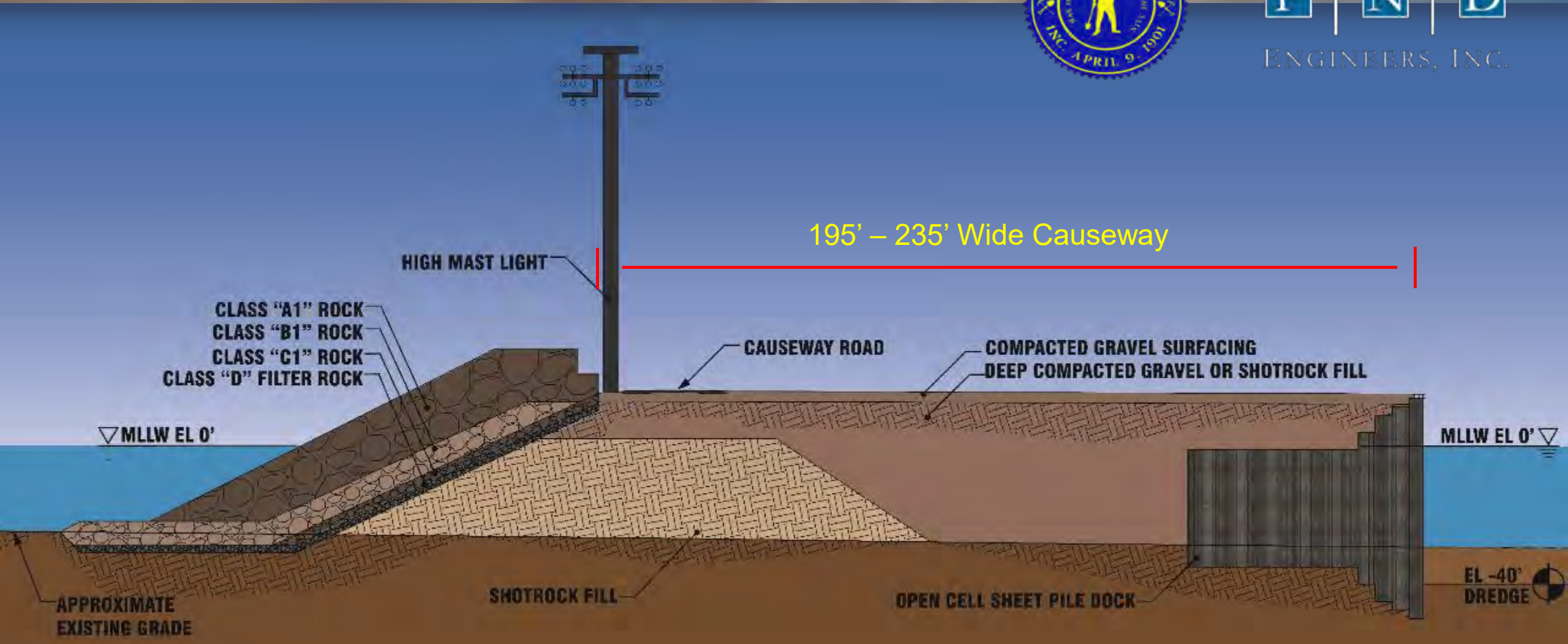




## DESIGN LOADS:

- 1,500 PSF ULL
- 150 TON CRANE
  - 70 Ton Pick
- CONTAINER HANDLER





Typical Causeway Cross Section at Dock







Questions?





**Wednesday January 24**

10 am – 1 pm

Public Open Session



Port Commission Work Session

5:30 pm

**Thursday January 25**

10 am – 1 pm

Public Open Session

6:30 pm – 8:30 pm

Public Concept Session

**For Questions \ Comments:**

**Bryan Hudson**

**[bhudson@pndengineers.com](mailto:bhudson@pndengineers.com)**

**Joy Baker**

**[JBaker@nomealaska.org](mailto:JBaker@nomealaska.org)**

**Presentations Available at:**

**[www.nomealaska.org/port-nome](http://www.nomealaska.org/port-nome)**













**P | N | D**  
ENGINEERS, INC.

